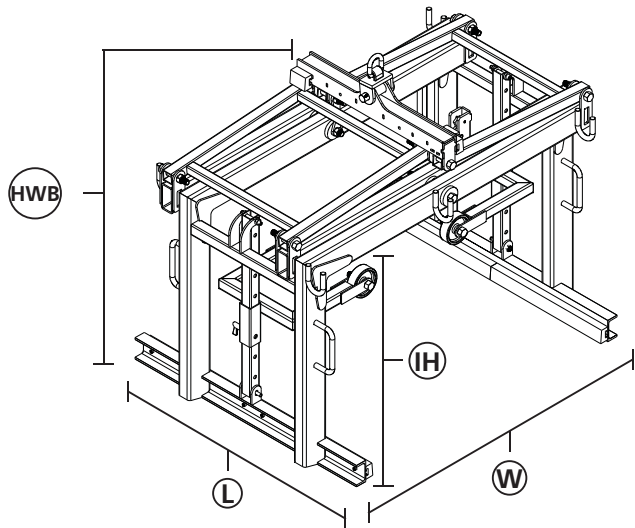


PRODUCT CODE: CA105AE

PRODUCT DESCRIPTION: BLOCK GRAB



Designed and manufactured to lift palletised blocks and bricks. The CA105AE Block Grab is also suitable for handling all types of concrete products such as slabs, steel strapped bricks, blocks, kerb stones and paving blocks.

The CA105AE has galvanised top arms and load levelling arms to increase durability, the new design is now much stronger and has an increased WLL of 1800kg.

The CA105AE has an automatic catch mechanism that enables a single operator to stack or unstack secure loads.

HWB = External height with bale arm not in use.
IH = Internal Height

IH mm	H mm	HWB mm	L mm	W mm	WLL Kg
800	770	1260	1200	1410	1800
1000	975	1540	1200	1580	1800



NE100 Safety net for use with CA105.

POWERED BY KNOWLEDGE

DISCOVER MORE, VISIT WWW.CQEGROUP.COM OR CALL 0845 520 1101